

FITTING INSTRUCTIONS

Remove one original wheel nut/wheel bolt from each wheel on your vehicle (1). During a subsequent wheel change, always remove the wheel lock as the first nut/screw and fit as the last nut/bolt.

Important: Before fitting the wheel lock, please always check that the thread, seating and shaft length/overall length of the original nut/bolt coincide with the wheel lock!

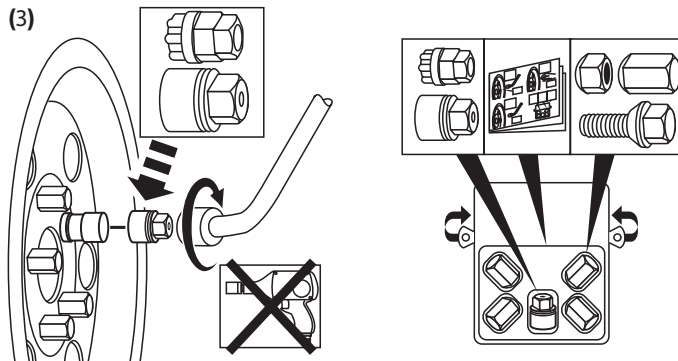
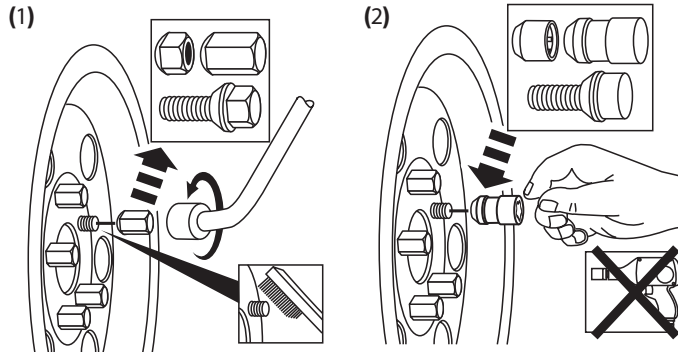
Fit wheel lock on each wheel by hand. Ensure that the coding of your key is inserted precisely in the coding provided in the wheel lock (2). Subsequently tighten each wheel lock using the key provided and a torque wrench to the torque indicated in your vehicle manual (3), press the torque wrench in axial direction to guarantee the correct engagement and in order to avoid slipping of the provided key. Spin the wheel by hand to check it rotates freely and no interference has been created.

WHEEL LOCK IDENTIFICATION CARD

If you lose your key, please order a replacement at your local Halfords Store.

IMPORTANT

Please keep this card in a safe place (suggest taped inside your vehicle handbook or with your vehicle documents) as you need to quote the unique personal code number to order a replacement key for your wheel lock from your local Halfords store.



Your personal code number for wheel lock:

┌
└